



MAGNUM RESEARCH
DESERT EAGLE™ PISTOL PARTS LIST

PARTS LIST

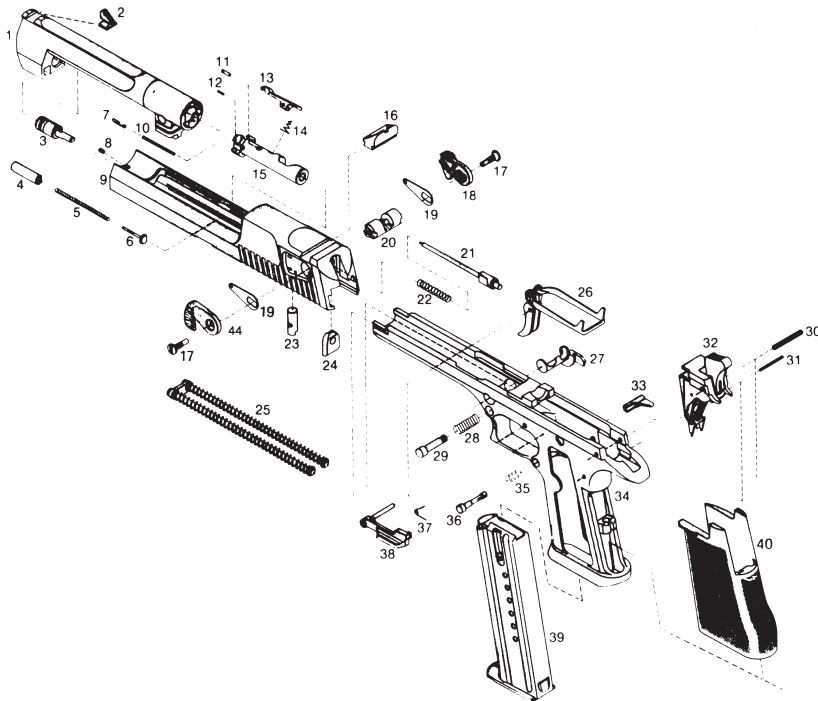
DESERT EAGLE .357 Magnum Pistol, Mark I/VII/XIX

VIEW NO.	DESCRIPTION	PART NO.				RETAIL
1	Barrel 6" .357 - MK I/VII	DEP406				N/A
1-A	Barrel 6" .357 - MK XIX	BAR3576				389.00
2	Front Sight	00024-1101-5				20.00
3	Gas Piston - MK I/VII	00024-1214				24.00
3-A	Gas Piston - MK XIX	00025-0214				35.00
4	Bolt Stabilizer Pin	00024-1211				20.00
5	Bolt Stabilizer Spring	00024-1213				9.00
6	Bolt Stabilizer Guide Pin	00024-1212				24.00
7	Ejector - MK I/VII	00024-1253				20.00
7-A	Ejector - MK XIX	04011-0253				20.00
8	Gas Piston Pin - MK I/VII	00024-1215				3.00
9	Slide - MK I/VII	00024-1201				200.00
9-A	Slide - MK XIX	04007-0201				299.00
10	Ejector Spring - MK I/VII	00024-1252				3.00
10-A	Ejector Spring - MK XIX	00025-0252				3.00
11	Extractor Pin - MK I/VII	00024-1255				4.00
11-A	Extractor Pin - MK XIX	00025-0255				5.00
12	Ejector Pin - MK I/VII	00024-1254				3.00
12-A	Ejector Pin - MK XIX	00025-0254				3.00
13	Extractor - MK I/VII	00024-1261				50.00
13-A	Extractor - MK XIX	04011-0261				50.00
14	Extractor Spring, Polymer	04024-1262				11.00
15	Bolt - MK I/VII	00024-1251				100.00
15-A	Bolt - MK XIX	04011-0251				100.00
16	Rear Sight	00024-1241				24.00
17	Safety Screw - MK I/VII	00024-1209				9.00
17-A	Safety Screw - MK XIX	04007-0209				9.00
18	Right Safety Lever - MK VII/XIX	04024-1207				20.00
44	Left Safety Lever - MK VII/XIX	04024-1217				20.00
19	Safety Spring	00024-1208				9.00
20	Safety - MK I/VII	00024-1206				35.00
20-A	Right Safety - MK XIX (Not Pictured)	04007-0216				20.00
20-B	Left Safety - MK XIX (Not Pictured)	04007-0206				35.00
21	Firing Pin	00024-1202				35.00
22	Firing Pin Spring	00024-1203				3.00
23	Bolt Guide Pin - MK I/VII	00024-1205				11.00
23-A	Bolt Guide Pin - MK XIX	00025-0205				11.00
24	Firing Pin Stop - MK I/VII	00024-1204				20.00
24-A	Firing Pin Stop - MK XIX	00025-0204				20.00
25	Recoil Spring Assembly - MK I/VII	00024-1160				50.00
25-A	Recoil Spring Assembly - MK XIX	00025-0160				50.00
26*	Trigger Assembly	00024-1340				75.00
27	Barrel Lock	00024-1302				35.00
28	Barrel Lock Spring	00024-1304				3.00
29	Barrel Lock Pin	00024-1303				11.00
30	Hammer Pin	00024-1312				5.00
31	Sear Pin	00024-1311				5.00
32*	Adjustable Trigger Assembly - MK VII/XIX	DEP200				129.00
33	Magazine Catch	00024-1307				24.00
34	Frame	N/A				-
35	Magazine Catch Spring	00024-1309				3.00
36	Magazine Catch Pin	00024-1308				15.00
37	Slide Catch Spring	00024-1313				3.00
38	Slide Catch - MK VII/XIX	04024-1330				30.00
39	Magazine Assembly	MAG357				45.00
40	IMI Grip Assembly	00024-1305				24.00

*See page 11 for the breakdown of parts.

EXPLODED VIEW

DESERT EAGLE .357 Magnum Pistol, Mark I/VII



PARTS LIST

DESERT EAGLE .357 Magnum Pistol, Mark I/VII/XIX

VIEW NO.	DESCRIPTION	PART NO.				RETAIL
25	RECOIL SPRING ASSEMBLY - MK I/VII	00024-1160				
	RECOIL SPRING ASSEMBLY - MK XIX	00025-0160				
	- includes the following parts:					
	Recoil Spring Outer	00024-1161				9.00
	Recoil Spring Plate (Cross piece) - MK I/VII	00024-1162				20.00
	Recoil Spring Plate (Cross piece) - MK XIX	00025-0162				20.00
	Recoil Spring Rod - MK I/VII	00024-1163				15.00
	Recoil Spring Rod - MK XIX	00025-0163				15.00
	Retaining Ring (C-CLIP) - MK I/VII	00024-1164				3.00
	Retaining Ring (C-CLIP) - MK XIX	00025-0164				3.00
	Recoil Spring Inner - MK XIX (ONLY)	00025-0165				3.00
39	MAGAZINE ASSEMBLY .357	MAG357				
	- includes the following parts:					
	Magazine Body	00024-1701				35.00
	Magazine Cartridge Follower	00024-1702				15.00
	Magazine Spring	00024-1703				5.00
	Spring Support	00024-1704				9.00
	Magazine Base	00024-1705				9.00
					
	Bolt Assembly .357 - MK I/VII	00024-1250				169.00
	Bolt Assembly .357 - MK XIX	BOLT357				219.00

Any and all specifications are subject to change at the manufacturer's sole discretion.

Prices subject to change without notice.

PARTS LIST

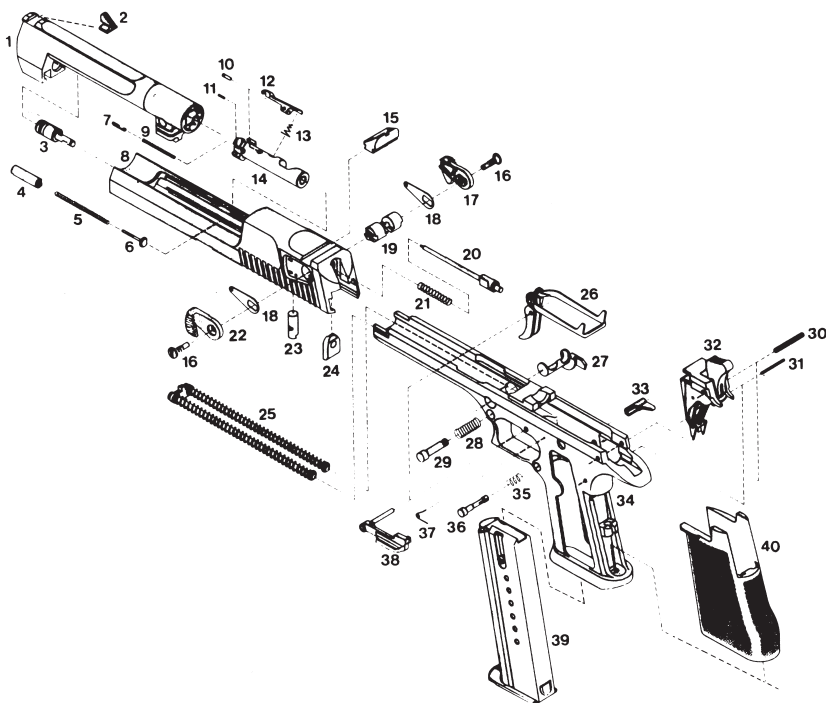
DESERT EAGLE .41 Magnum Pistol, Mark VII

VIEW NO.	DESCRIPTION	PART NO.				RETAIL
1	Barrel 6" .41- MK VII	DEP606				339.00
2	Front Sight	00024-1101-5				20.00
3	Gas Piston	00025-0214				35.00
4	Bolt Stabilizer Pin	00024-1211				20.00
5	Bolt Stabilizer Spring	00024-1213				9.00
6	Bolt Stabilizer Guide Pin	00024-1212				24.00
7	Ejector	00025-0253				20.00
8	Slide	00025-0201				259.00
9	Ejector Spring	00025-0252				3.00
10	Extractor Pin	00025-0255				5.00
11	Ejector Pin	00025-0254				3.00
12	Extractor	00028-0261				50.00
13	Extractor Spring, Polymer	04024-1262				11.00
14	Bolt	00028-0251				100.00
15	Rear Sight	00024-1241				24.00
16	Safety Screw	00024-1209				9.00
17	Right Safety Lever	04024-1207				20.00
18	Safety Spring	00024-1208				9.00
19	Safety	00025-0206				35.00
20	Firing Pin	00024-1202				35.00
21	Firing Pin Spring	00024-1203				3.00
22	Left Safety Lever	04024-1217				20.00
23	Bolt Guide Pin	00025-0205				11.00
24	Firing Pin Stop	00025-0204				20.00
25	Recoil Spring Assembly	00025-0160				50.00
26*	Trigger Assembly	00024-1340				75.00
27	Barrel Lock	00024-1302				35.00
28	Barrel Lock Spring	00024-1304				3.00
29	Barrel Lock Pin	00024-1303				11.00
30	Hammer Pin	00024-1312				5.00
31	Sear Pin	00024-1311				5.00
32*	Adjustable Trigger Assembly - MK VII	DEP 200				129.00
33	Magazine Catch	00024-1307				24.00
34	Frame	N/A				-
35	Magazine Catch Spring	00024-1309				3.00
36	Magazine Catch Pin	00024-1308				15.00
37	Slide Catch Spring	00024-1313				3.00
38	Slide Catch	04024-1330				30.00
39	Magazine Assembly	DEP141BL				45.00
40	IMI Grip Assembly	00024-1305				24.00

*See page 11 for the breakdown of parts.

EXPLODED VIEW

DESERT EAGLE .41 Magnum Pistol, Mark VII



PARTS LIST

DESERT EAGLE .41 Magnum Pistol, Mark VII

VIEW NO.	DESCRIPTION	PART NO.				RETAIL
25	RECOIL SPRING ASSEMBLY	00025-0160				
	- includes the following parts:					
	Recoil Spring Outer	00024-1161				9.00
	Recoil Spring Plate (Cross piece)	00025-0162				20.00
	Recoil Spring Rod	00025-0163				15.00
	Retaining Ring (C-CLIP)	00025-0164				3.00
	Recoil Spring Inner	00025-0165				3.00
39	MAGAZINE ASSEMBLY .41	DEP141BL				
	- includes the following parts:					
	Magazine Body	00028-0701				35.00
	Magazine Cartridge Follower	00025-0702				15.00
	Magazine Spring	00025-0703				5.00
	Magazine Base	00025-0705				9.00
	Spring Support Assembly	00025-0710				9.00
	Bolt Assembly .41	00028-0250				169.00

Any and all specifications are subject to change at the manufacturer's sole discretion.

Prices subject to change without notice.

PARTS LIST

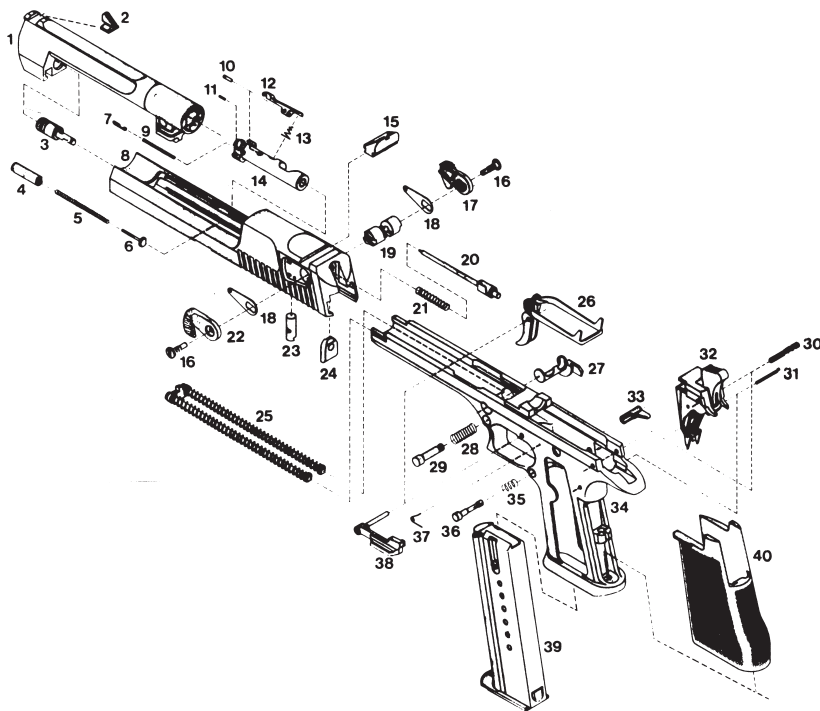
DESERT EAGLE .44 Magnum Pistol, Mark I/VII/XIX

VIEW NO.	DESCRIPTION	PART NO.				RETAIL
1	Barrel 6" .44 - MK I/VII	DEP506				N/A
1-A	Barrel 6" .44 - MK XIX	BAR446				389.00
2	Front Sight	00024-1101-5				20.00
3	Gas Piston	00025-0214				35.00
4	Bolt Stabilizer Pin	00024-1211				20.00
5	Bolt Stabilizer Spring	00024-1213				9.00
6	Bolt Stabilizer Guide Pin	00024-1212				24.00
7	Ejector	00025-0253				20.00
8	Slide - MK I/VII	00025-0201				259.00
8-A	Slide - MK XIX	04007-0201				299.00
9	Ejector Spring	00025-0252				3.00
10	Extractor Pin	00025-0255				5.00
11	Ejector Pin	00025-0254				3.00
12	Extractor	00025-0261				50.00
13	Extractor Spring, Polymer	04024-1262				11.00
14	Bolt	00025-0251				100.00
15	Rear Sight	00024-1241				24.00
16	Safety Screw - MK I/VII	00024-1209				15.00
16-A	Safety Screw - MK XIX	04007-0209				9.00
17	Right Safety Lever	04024-1207				20.00
18	Safety Spring	00024-1208				9.00
19	Safety - MK I/VII	00025-0206				35.00
19-A	Left Safety - MK XIX (Not Pictured)	04007-0206				35.00
19-B	Right Safety - MK XIX (Not Pictured)	04007-0216				20.00
20	Firing Pin	00024-1202				35.00
21	Firing Pin Spring	00024-1203				3.00
22	Left Safety Lever	04024-1217				20.00
23	Bolt Guide Pin	00025-0205				11.00
24	Firing Pin Stop	00025-0204				20.00
25	Recoil Spring Assembly	00025-0160				50.00
26*	Trigger Assembly	00024-1340				75.00
27	Barrel Lock	00024-1302				35.00
28	Barrel Lock Spring	00024-1304				3.00
29	Barrel Lock Pin	00024-1303				11.00
30	Hammer Pin	00024-1312				5.00
31	Sear Pin	00024-1311				5.00
32*	Adjustable Trigger Assembly - MK VI/XIX	DEP200				129.00
33	Magazine Catch	00024-1307				24.00
34	Frame	N/A				-
35	Magazine Catch Spring	00024-1309				3.00
36	Magazine Catch Pin	00024-1308				15.00
37	Slide Catch Spring	00024-1313				3.00
38	Slide Catch	04024-1330				30.00
39	Magazine Assembly	MAG44				45.00
40	IMI Grip Assembly	00024-1305				24.00

*See page 11 for the breakdown of parts.

EXPLODED VIEW

DESERT EAGLE .44 Magnum Pistol, Mark I/VII



PARTS LIST

DESERT EAGLE .44 Magnum Pistol, Mark I/VII/XIX

VIEW NO.	DESCRIPTION	PART NO.				RETAIL
25	RECOIL SPRING ASSEMBLY	00025-0160				
	- includes the following parts:					
	Recoil Spring Outer	00024-1161				9.00
	Recoil Spring Plate (Cross piece)	00025-0162				20.00
	Recoil Spring Rod	00025-0163				15.00
	Retaining Ring (C-CLIP)	00025-0164				3.00
	Recoil Spring Inner	00025-0165				3.00
39	MAGAZINE ASSEMBLY .44	MAG44				
	- includes the following parts:					
	Magazine Body	00025-0701				35.00
	Magazine Cartridge Follower	00025-0702				15.00
	Magazine Spring	00025-0703				5.00
	Magazine Base	00025-0705				9.00
	Spring Support Assembly	00025-0710				9.00
	Bolt Assembly .44/.50	BOLT4450				219.00

Any and all specifications are subject to change at the manufacturer's sole discretion.
 Prices subject to change without notice.

PARTS LIST

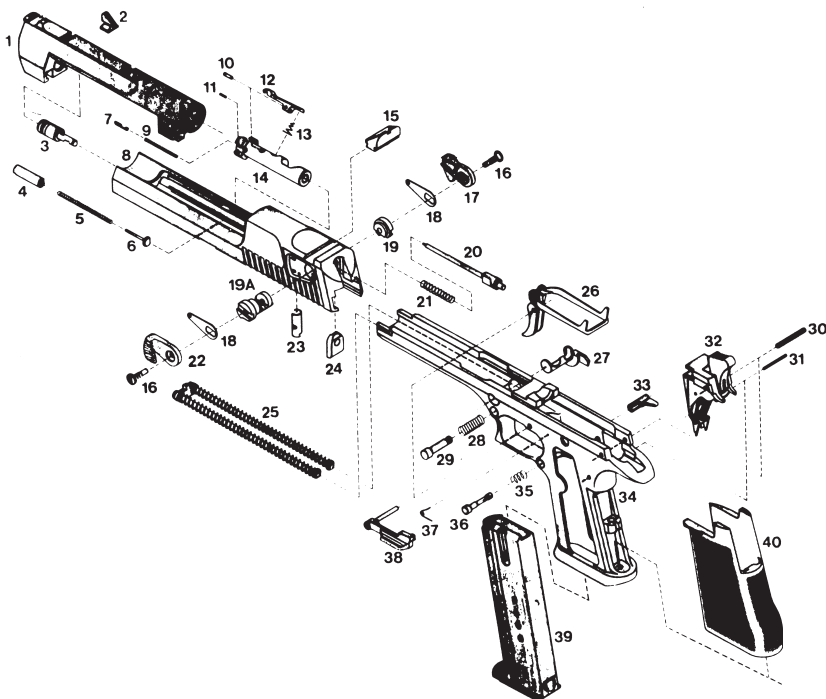
DESERT EAGLE .50AE Pistol, Mark XIX

VIEW NO.	DESCRIPTION	PART NO.				RETAIL
1	Barrel 6" .50AE - MK XIX	BAR506				389.00
2	Front Sight	00024-1101-5				20.00
3	Gas Piston	00025-0214				35.00
4	Bolt Stabilizer Pin	00024-1211				20.00
5	Bolt Stabilizer Spring	00024-1213				9.00
6	Bolt Stabilizer Guide Pin	00024-1212				24.00
7	Ejector	00025-0253				20.00
8	Slide	04007-0201				299.00
9	Ejector Spring	00025-0252				3.00
10	Extractor Pin	00025-0255				5.00
11	Ejector Pin	00025-0254				3.00
12	Extractor	00025-0261				50.00
13	Extractor Spring, Polymer	04024-1262				11.00
14	Bolt	00025-0251				100.00
15	Rear Sight	00024-1241				24.00
16	Safety Screw	04007-0209				9.00
17	Right Safety Lever	04024-1207				20.00
18	Safety Spring	00024-1208				9.00
19	Right Safety	04007-0216				20.00
19-A	Left Safety	04007-0206				35.00
20	Firing Pin	00024-1202				35.00
21	Firing Pin Spring	00024-1203				3.00
22	Left Safety Lever	04024-1217				20.00
23	Bolt Guide Pin	00025-0205				11.00
24	Firing Pin Stop	00025-0204				20.00
25	Recoil Spring Assembly	00025-0160				50.00
26*	Trigger Assembly	00024-1340				75.00
27	Barrel Lock	00024-1302				35.00
28	Barrel Lock Spring	00024-1304				3.00
29	Barrel Lock Pin	00024-1303				11.00
30	Hammer Pin	00024-1312				5.00
31	Sear Pin	00024-1311				5.00
32*	Adjustable Trigger Assembly	DEP200				129.00
33	Magazine Catch	00024-1307				24.00
34	Frame	N/A				-
35	Magazine Catch Spring	00024-1309				3.00
36	Magazine Catch Pin	00024-1308				15.00
37	Slide Catch Spring	00024-1313				3.00
38	Slide Catch	04024-1330				30.00
39	Magazine Assembly	MAG50				45.00
40	IMI Grip Assembly	00024-1305				24.00

*See page 11 for the breakdown of parts.

EXPLODED VIEW

DESERT EAGLE .50AE Pistol, Mark XIX



PARTS LIST

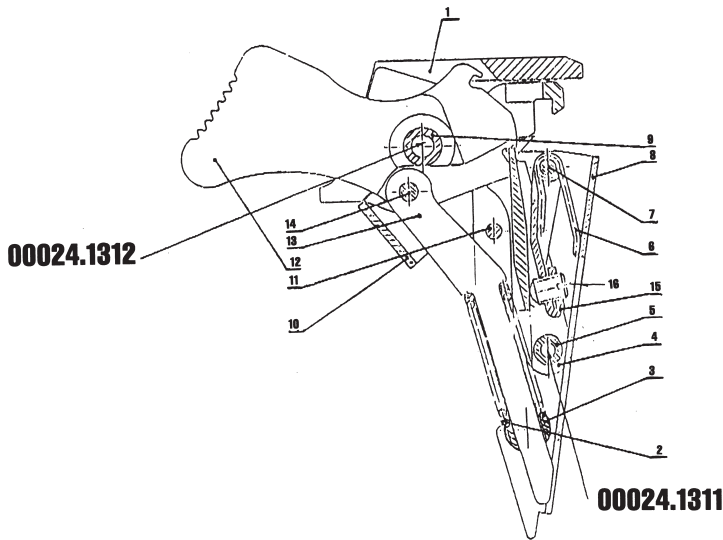
DESERT EAGLE .50AE Pistol, Mark XIX

VIEW NO.	DESCRIPTION	PART NO.				RETAIL
25	RECOIL SPRING ASSEMBLY	00025-0160				
	- includes the following parts:					
	Recoil Spring Outer	00024-1161				9.00
	Recoil Spring Plate (Cross piece)	00025-0162				20.00
	Recoil Spring Rod	00025-0163				15.00
	Retaining Ring (C-CLIP)	00025-0164				3.00
	Recoil Spring Inner	00025-0165				3.00
39	MAGAZINE ASSEMBLY .440/.50	MAG50				
	- includes the following parts:					
	Magazine Body	04007-0701				35.00
	Magazine Cartridge Follower	04007-0720				15.00
	Magazine Spring	04007-0703				5.00
	Magazine Base	00025-0705				9.00
	Spring Support Assembly	00025-0710				9.00
	Bolt Assembly .44/.50	BOLT4450				219.00

Any and all specifications are subject to change at the manufacturer's sole discretion.

Prices subject to change without notice.

EXPLODED VIEW/ DESERT EAGLE Adjustable Trigger Assembly



PARTS LIST

DESERT EAGLE Adjustable Trigger Assembly

VIEW NO.	DESCRIPTION	PART NO.			RETAIL
32	Adjustable Trigger Assembly	DEP200			129.00
	- includes the following parts:				
1	Hammer Housing	00024-1351			35.00
2	Hammer Spring	00024-1352			3.00
3	Hammer Spring Retainer	00024-1353			24.00
4	Sear	00024-1354			30.00
5	Sear Insert	00024-1355			24.00
6	Sear Spring	00029-1856			9.00
7	Sear Pin	00024-1357			5.00
8	Mechanism Housing	00029-1861			24.00
9	Hammer Insert	00024-1362			30.00
10	Hammer Assembly Cover	00024-1363			9.00
11	Mechanism Housing Pin	00024-1364			3.00
12	Hammer	00024-1381			9.00
13	Hammer Bar	00024-1382			9.00
14	Hammer Bar Pin	00024-1383			9.00
15	Adjustable Spring Assembly	00029-1865			9.00
16	Set Screw	00029-1867			3.00

PARTS LIST

DESERT EAGLE Trigger Assembly

VIEW NO.	DESCRIPTION	PART NO.			RETAIL
26	Trigger Assembly	00024-1340			75.00
	- includes the following parts:				
	Trigger	00024-1341			35.00
	Trigger Pin	00024-1342			9.00
	Trigger Spring	00024-1343			9.00
	Trigger Bar	00024-1344			35.00

Any and all specifications are subject to change at the manufacturer's sole discretion.

Prices subject to change without notice.

Distinction between the Mark I, Mark VII, and Mark XIX Desert Eagle™ Pistols

The Mark I Desert Eagle™ Pistols

Barrel, all have a 3/8” dovetail on top.

Slide Assembly, the slide is physically smaller in size from Mark XIX, to accommodate specific caliber barrels.

Frame, with plastic IMI grips, no difference in size.

Trigger, standard (not adjustable).

Appointments, safety levers are teardrop shaped; slide catch/release has single serration.

Calibers, .357 Magnum and .44 Magnum.

The Mark VII Desert Eagle™ Pistols

Barrel, all have a 3/8” dovetail on top.

Slide Assembly, the slide is physically smaller in size from Mark XIX, to accommodate specific caliber barrels.

Frame, with plastic IMI grips, no difference in size.

Trigger, adjustable trigger.

Appointments, safety levers are hooked-shaped; slide catch/release lever has three steps for ease of operation.

Calibers, .357 Magnum, .41 Magnum, .44 Magnum.

The Mark XIX Desert Eagle™ Pistols

Barrel, all have a 7/8” Weaver style dovetail on top, as well as two cross-slots.

Slide Assembly, the slide is physically larger in size from Mark VII, to accommodate the barrels with the 7/8” dovetail.

Frame, with plastic IMI grips, no difference in size.

Trigger, adjustable trigger.

Appointments, safety levers are hooked-shaped; slide catch/release lever has three steps for ease of operation.

Calibers, .357 Magnum, .44 Magnum, (.440 Cor® Bon was a limited production) and .50AE.

All Desert Eagle pistols are currently manufactured in Israel for Magnum Research, Inc. by IMI.

Questions on Desert Eagle pistol spare parts, accessories or conversions call Magnum Research’s Customer Service Department at 1-763-574-1868, Monday-Friday, 8:30-4:30 CST.

Any and all specifications are subject to change at the manufacturer’s sole discretion.

The Desert Eagle is a semi-automatic pistol based on a non-adjustable gas system. "In order to function properly, only suitable ammunition shall be used."

The following types of ammunition were found adequate for use in the Desert Eagle pistols of caliber. This list is a recommended list only, other types of ammunition might function as well as any of these do. NO LEAD BULLETS.

.44 Magnum - Mark I, VII, XIX

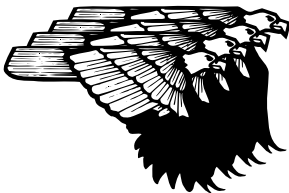
MANUFACTURER	BULLET WEIGHT	CATALOG NUMBER	DESCRIPTION
American Eagle . . .	240	AE44A	JHP
Federal Classic . . .	240	C44A	JHP
Federal Premium			
Hydra-Shok	240	P44HSA	JHP
Gold Dot	270	23968	GDSP
PMC Starfire	240	44SFA	SFHP
PMC	240	44C	JHP
PMC Target	240	44D	TCSP
Remington Core-Lokt.	275	RH44MGA	JHP
Remington	240	RHA44M2	JSP
Remington	240	RH44MG3	JHP
Remington	180	RH44MG5	JHP
Winchester	240	X44MSTHP2	JHP
Winchester	210	XX44MSTHP2	JHP
UMC	180	L44MG7	JHP

.50AE Magnum - Mark XIX

MANUFACTURER	BULLET WEIGHT	CATALOG NUMBER	DESCRIPTION
Blount/MRI	300	DEP50JHP300B	JHP
Blount/MRI	350	DEP50JSP350B	JSP
CCI Lawnman	325	3977	SJHP
Samson Ultra	300	.50-60D	SJSP
Samson Ultra	300	.50-60B	SJHP

.357 Magnum - Mark I, VII, XIX

MANUFACTURER	BULLET WEIGHT	CATALOG NUMBER	DESCRIPTION
CCI	158	3959	SJSP
Federal Hyda-Shok	158	P357HS1	SJHP
Federal	158	357A	SJSP
Federal	158	357E	SJHP
American Eagle . . .	158	AE357A	SJSP
Hornady Frontier . .	158	9056	SJHP
Hornady Frontier . .	158	9058	SJHP
PMC	158	357A	SJHP
Remington	158	R357M2	SJHP
Remington	158	R357M3	SJHP
Winchester	158	X3574P	SJHP
Winchester	158	X3575P	SJSP



MAGNUM RESEARCH, INC.

7110 University Avenue N.E.
 Minneapolis, MN 55432
 (763) 574-1868 ▪ Fax: (763) 574-0109