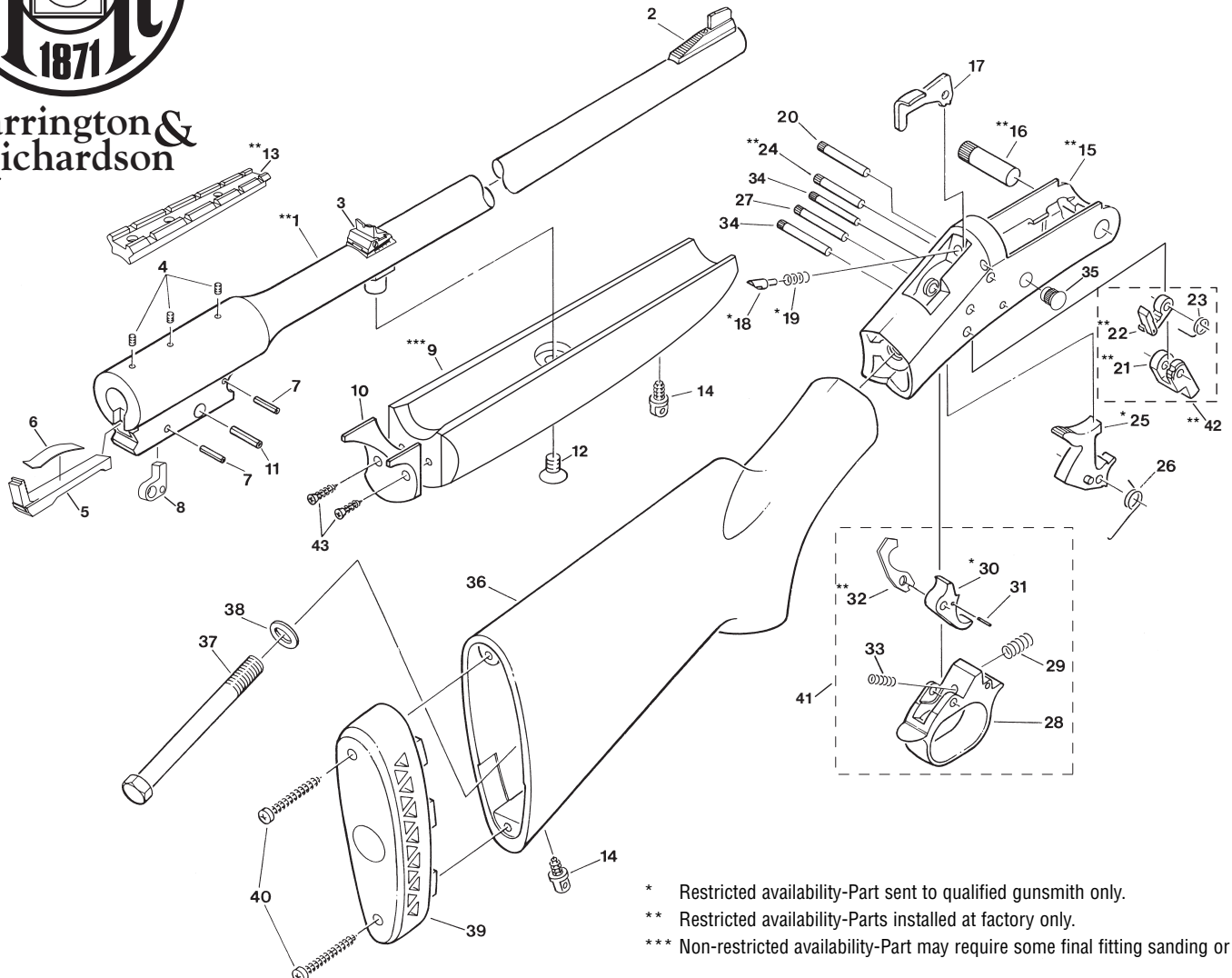




Handi-Rifle™

Harrington & Richardson



* Restricted availability-Part sent to qualified gunsmith only.
 ** Restricted availability-Parts installed at factory only.
 *** Non-restricted availability-Part may require some final fitting sanding or filing.

ILL. NO.	PART NAME
**1	BARREL
2	BASE-FRONT SIGHT
2	SIGHT-FRONT
3	BLADE-REAR SIGHT
3	SLIDE-REAR SIGHT
3	BASE-REAR SIGHT
3	SLIDE ASY.-REAR SIGHT
3	REAR SIGHT
4	SCREW-DELRIN FILLER
5	EXTRACTOR
6	EXTRACTOR SPRING
7	PIN EJECTOR LATCH
8	CAM EXTRACTOR
**9	FORE-END
10	SPACER-FORE-END
11	EJECTOR STOP PIN
12	SCREW-FRD.-SHORT
**13	SCOPE BASE
14	SWIVEL
**15	FRAME
**16	JOINT PIN FINISH
17	RELEASE LEVER
*18	FIRING PIN
*19	SPRING-FIRING PIN

ILL. NO.	PART NAME
20	RELEASE LEVER PIN
**21	LIFTER
**22	STRIKER ASS'Y.
23	LIFTER SPRING
**24	STRIKER PIN
*25	HAMMER ASS'Y.
26	HAMMER SPRING
27	TRIGGER GRD. PIN
28	TRIGGER GRD.
29	BARREL CATCH SPRING
*30	TRIGGER
31	TRIG. EXTEN PIN
**32	TRIG EXTENSION
33	SPRING TRIGGER
34	HMR, TRIG, & CATCH PIN
35	VIEW HOLE PIN
36	STOCK
37	SCREW TANG
38	WASHER TANG SCREW
39	RECOIL PAD
40	SCREW BUTT PLATE
41	TRIGGER GUARD ASS'Y.
**42	BRL. CATCH STRIKER ASS'Y.
43	SCREW-FORE-END SPCR.

